

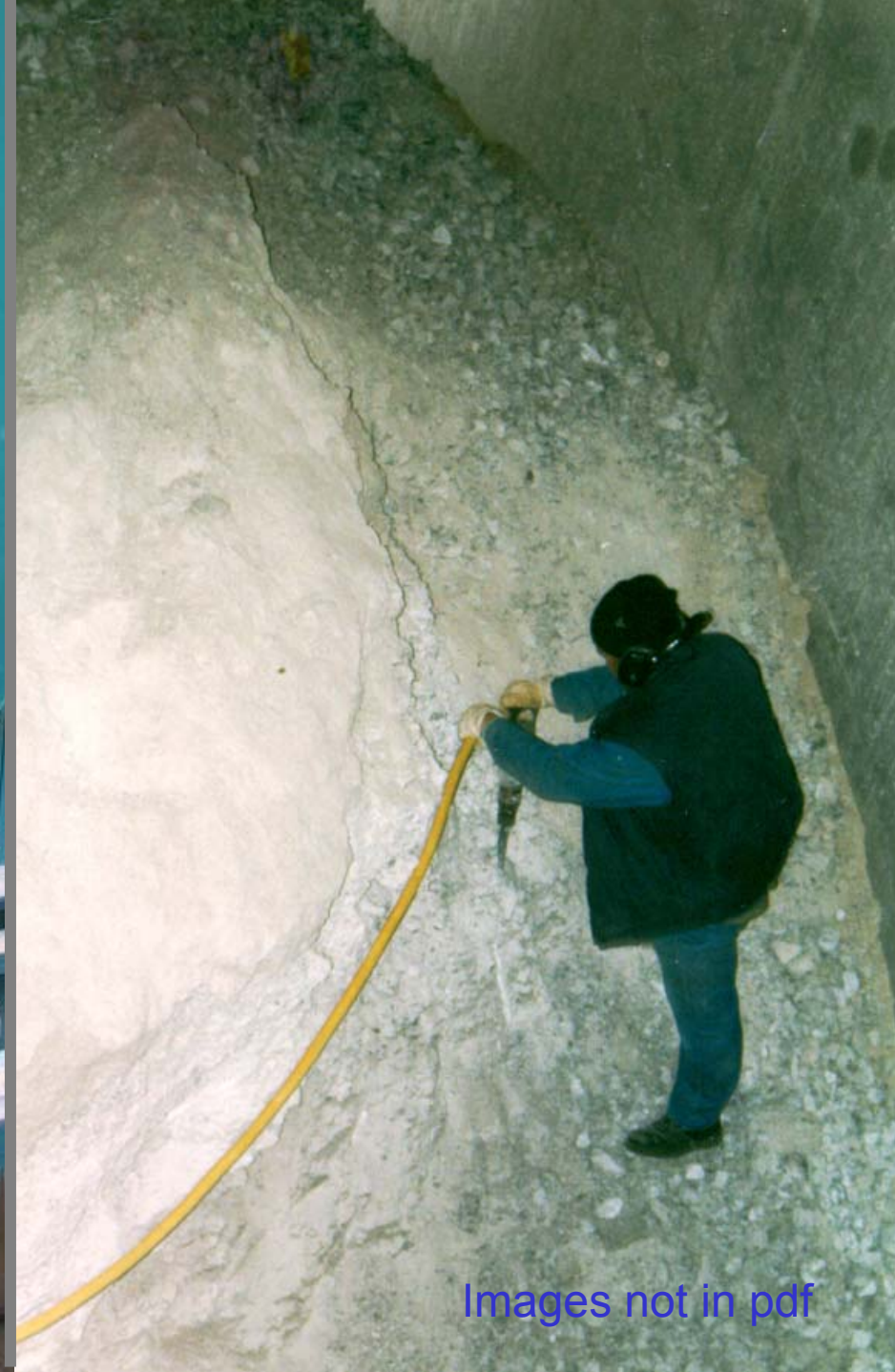
Setting Powder in Motion: Parameters and Descriptors

Dietmar Schulze

1. Why measuring flow properties?
2. The yield locus concept
3. Measurement of flow properties with shear testers
4. Examples

1. Why measuring flow properties?

Flow problems



Images not in pdf

Why measuring flow properties?

1. Qualitative application: Flowability testing

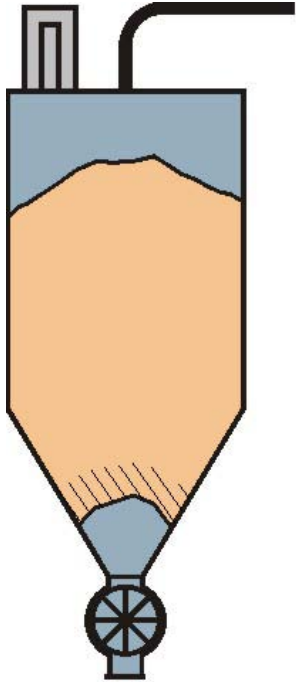
- Will the bulk solid or powder flow in existing equipment (dosage systems, silo trucks, ...)?
- Will it flow uniformly (e.g., when filling dies of tablet presses)?
- Will it tend to caking during long-term storage?
- Can flowability be improved (flow agents, particle size distribution, moisture, surface characteristics, temperature ...)?
- Is a product within specs regarding flowability (quality control)?

2. Quantitative application: Equipment design

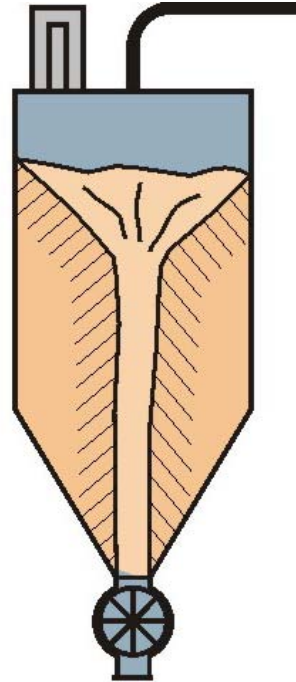
- Goal: To avoid flow problems with equipment designed according to flow properties →

Sources of flow problems

Problems related to the **strength** of the bulk solid (flow obstructions):



Stable arch (arching)



Stable rathole or pipe
(ratholing, piping)

Strength may increase with time → caking, time consolidation

Ratholing (small scale)



Ratholing (large scale),
strong time consolidation



Adhesive forces

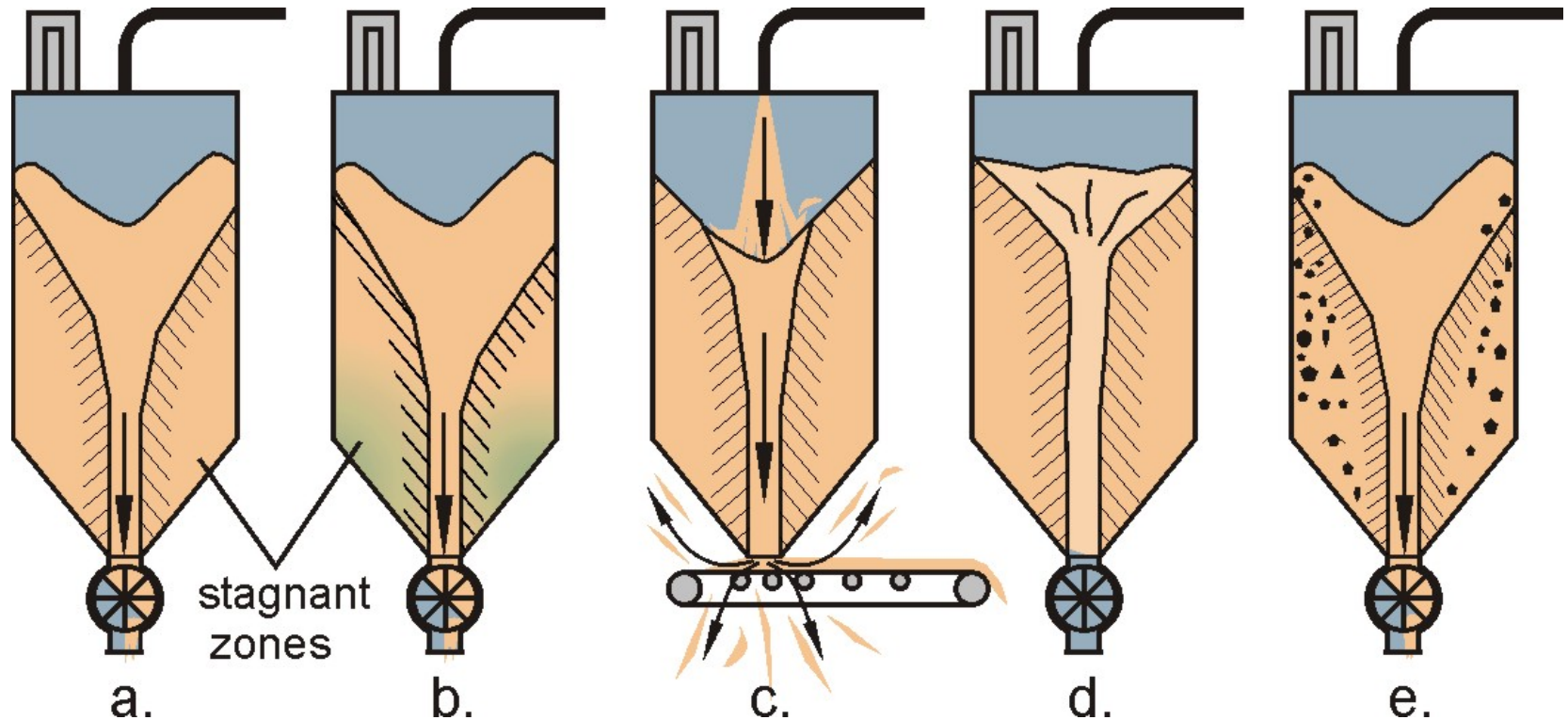


Image not in pdf

Sources of flow problems

Problems related to **funnel flow**

(important parameter: **friction at hopper wall**):



a. Funnel flow

b. Wide residence time distribution

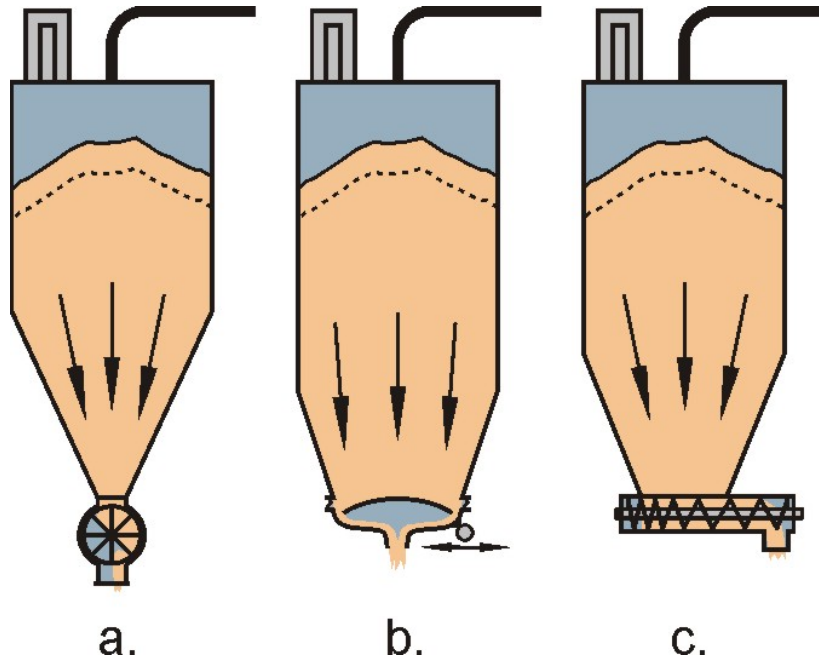
c. Irregular flow

d. Ratholing

e. Segregation

Equipment design

Solution: Avoid funnel flow, avoid flow obstructions.



- a. **Mass flow** achieved by sufficiently steep/smooth hopper walls
(most important parameter: **friction at hopper wall**)
- b./c. **Sufficiently large outlet opening** for cohesive products
(most important parameter: **strength**)

→ Flow properties have to be known.

2. The yield locus concept

Jenike's approach

- About 50 years ago Andrew W. Jenike defined the **yield locus** as a means to describe bulk solid properties.
- Furthermore, Jenike introduced an appropriate test method (shear test).
- The yield locus is still state of the art. It is preferred if well-defined physical quantities are needed, e.g.,
 - for quantitative application (e.g., hopper design),
 - for high reproducibility,
 - for test results not being influenced by other parameters (e.g., state of aeration).



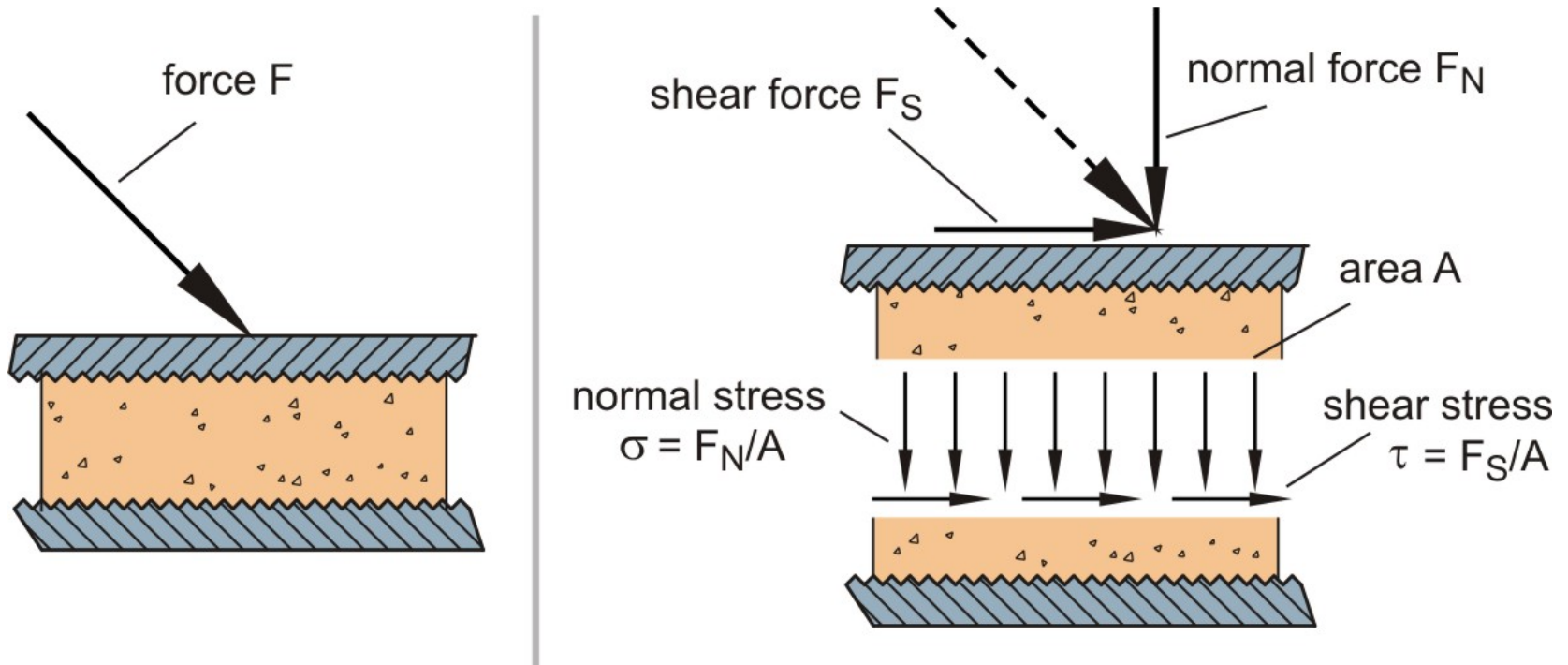
A.W. Jenike

To understand the yield locus concept, it is helpful to know the relationship between **stresses** and **strength**.

2.1 Stresses

Introduction: Stresses

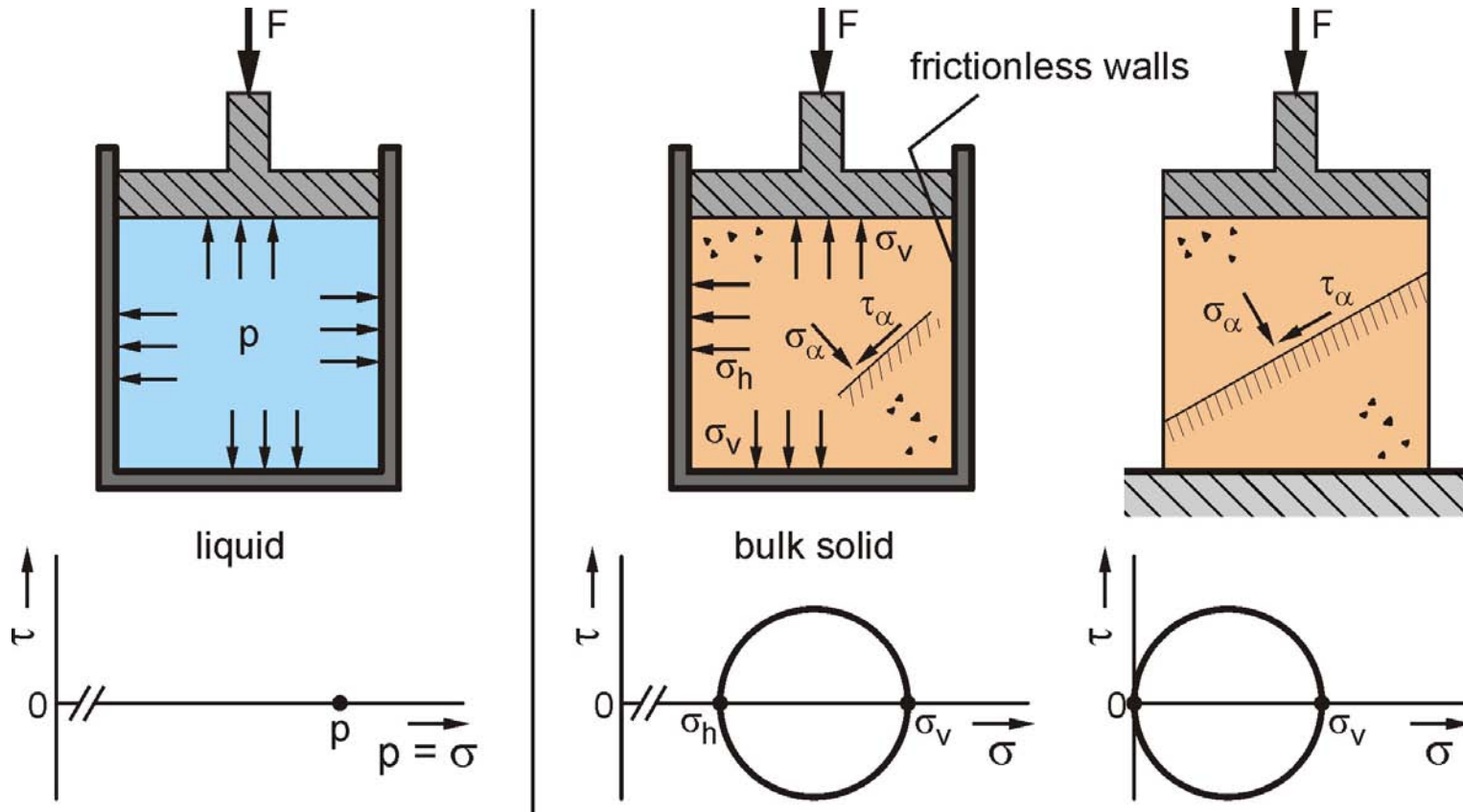
Bulk solid is regarded as a continuum.



Normal stress $\sigma = F_N/A$:
stress acting normal to the horizontal cutting plane (area A).

Shear stress $\tau = F_S/A$:
stress acting parallel to the horizontal cutting plane (area A).

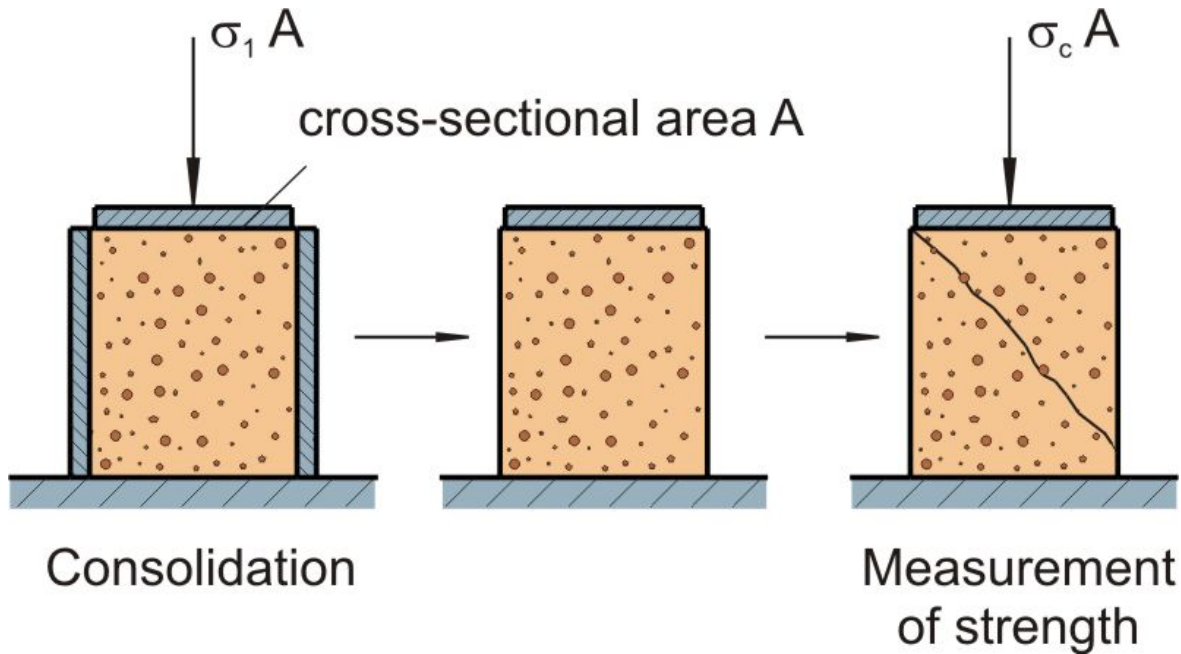
Stress in powders compared to pressure in liquids



- In a powder different stresses can be found in different cutting planes.
- Even if the material is at rest, shear stresses τ may occur.
- Pairs of values of normal and shear stresses acting in different cutting planes form a Mohr stress circle in a normal stress – shear stress – diagram.
- Liquid: pressure p in all directions \rightarrow Radius of “stress” circle = 0

2.2 Strength

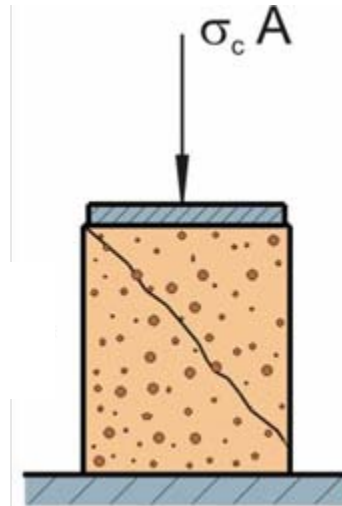
Unconfined yield strength (uniaxial compression test)



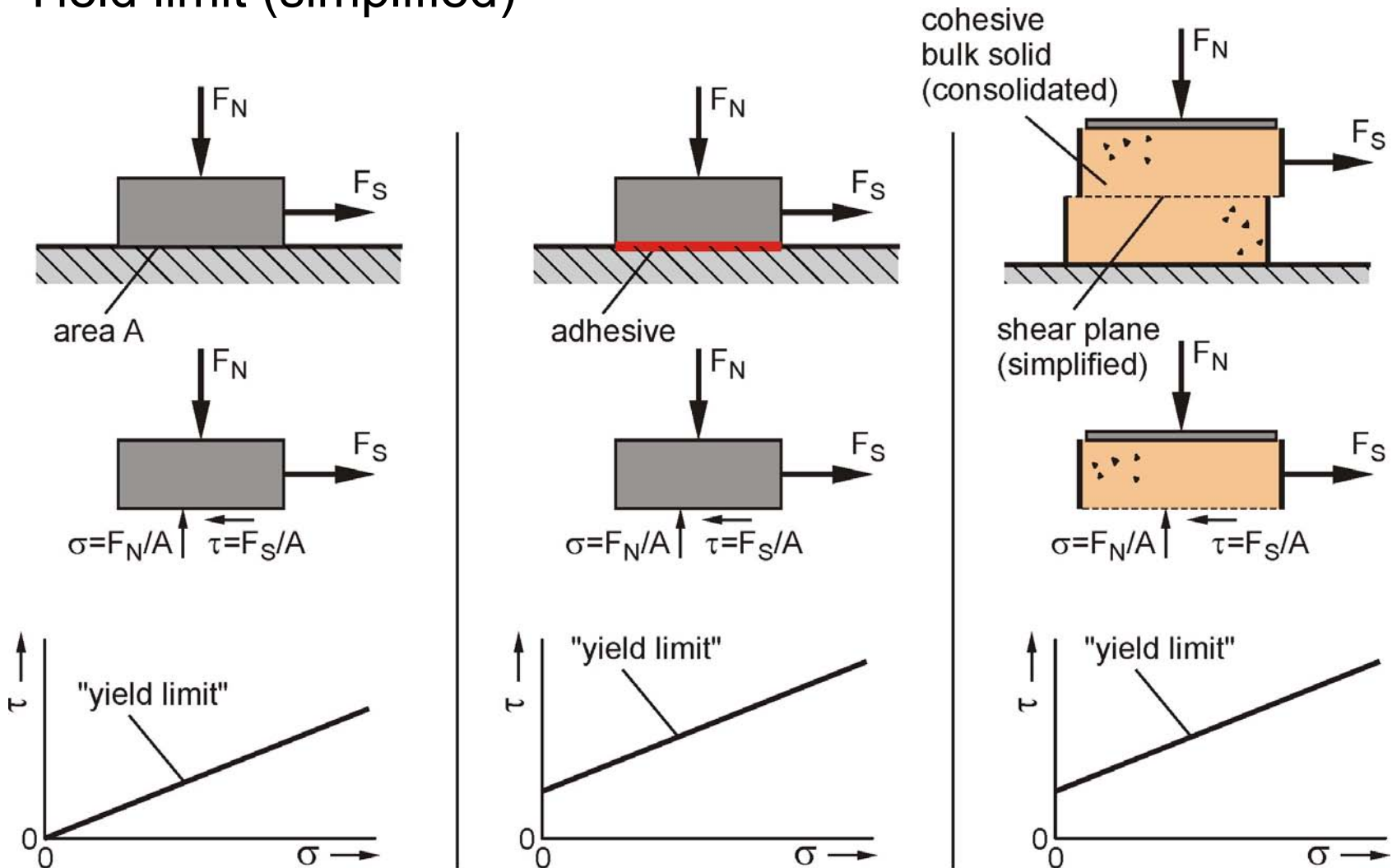
Consolidation with consolidation stress, σ_1 .

Measurement of unconfined yield strength, σ_c (compressive strength).

**The question is:
Where does flow or failure happen?
And why?**

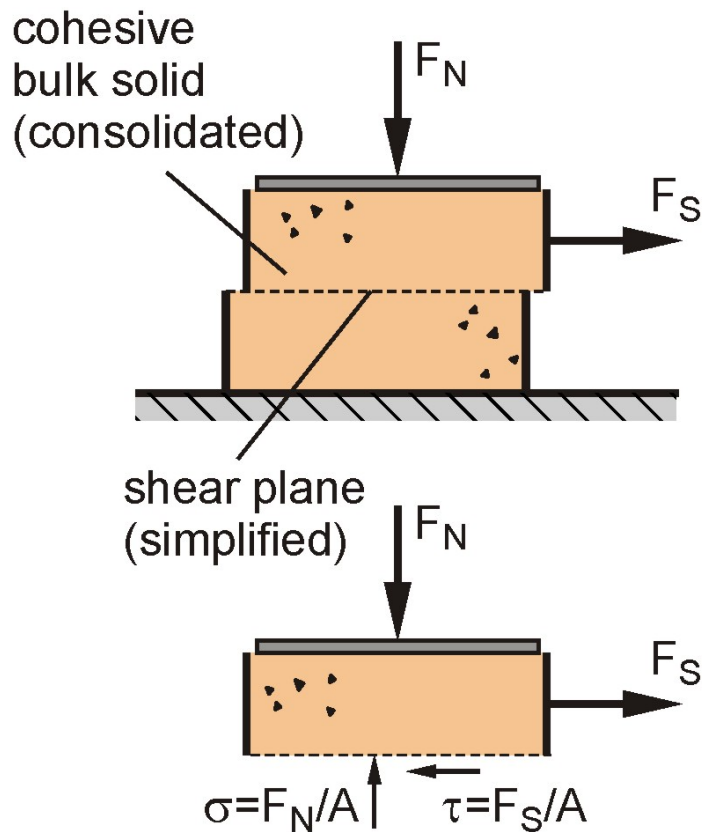


Yield limit (simplified)

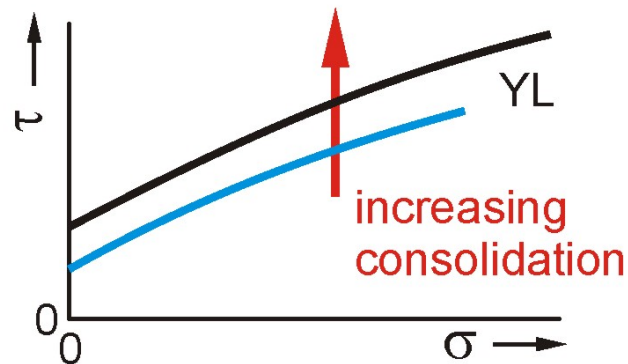


A yield limit represents the shear stress which is required to initiate flow (failure) as a function of normal stress.

Yield limit of consolidated bulk solid → Yield locus

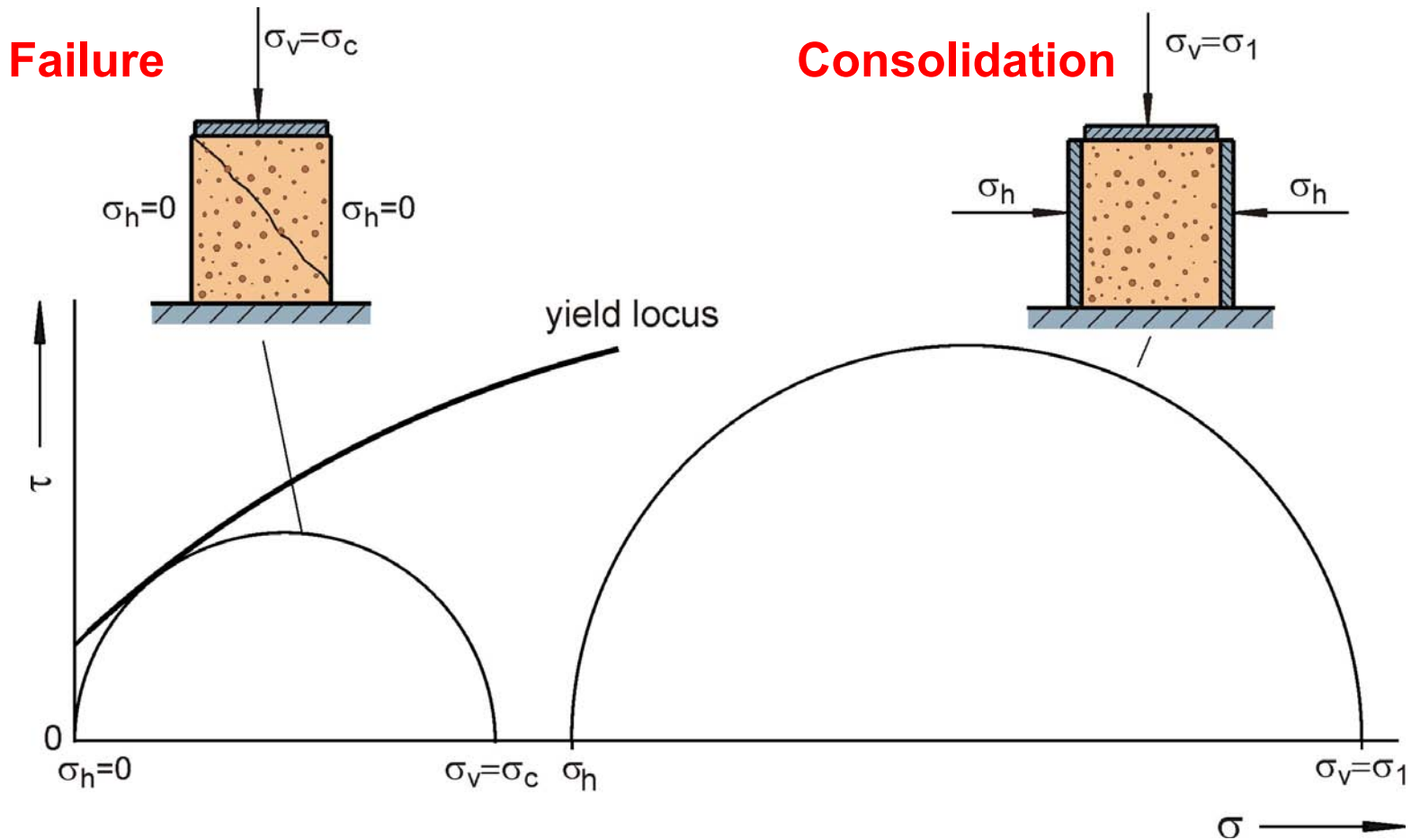


Yield loci (YL)
of a cohesive bulk solid:



- A yield locus describes the “strength” of a bulk solid.
- Yield loci of cohesive bulk solids are shifted toward higher shear stresses with increasing consolidation stress.

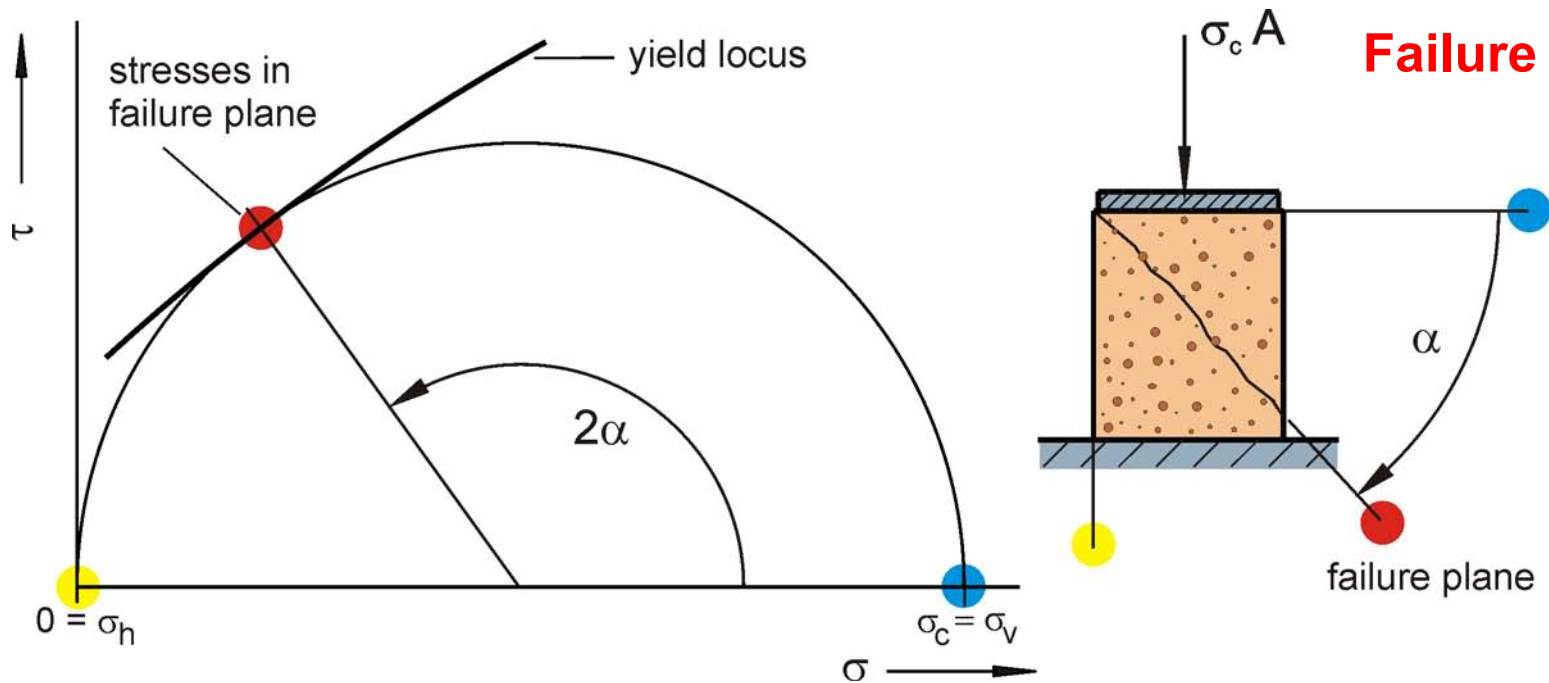
Uniaxial compression test represented by stress circles



Stress circles represent stresses at the end of consolidation (right) and at failure (incipient flow, left).

Consolidation stress σ_1 is the greatest normal stress acting on the specimen (right point of intersection with σ -axis). It is also known as “major principal stress”.

Determination of unconfined yield strength



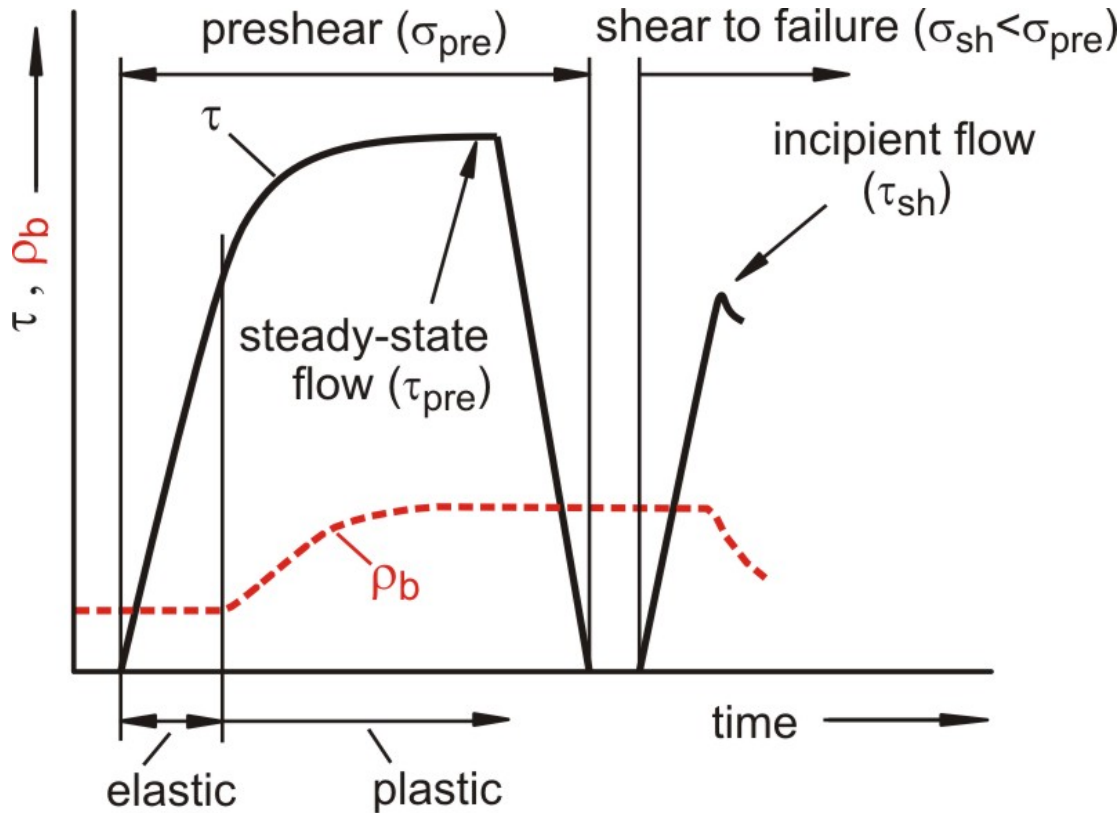
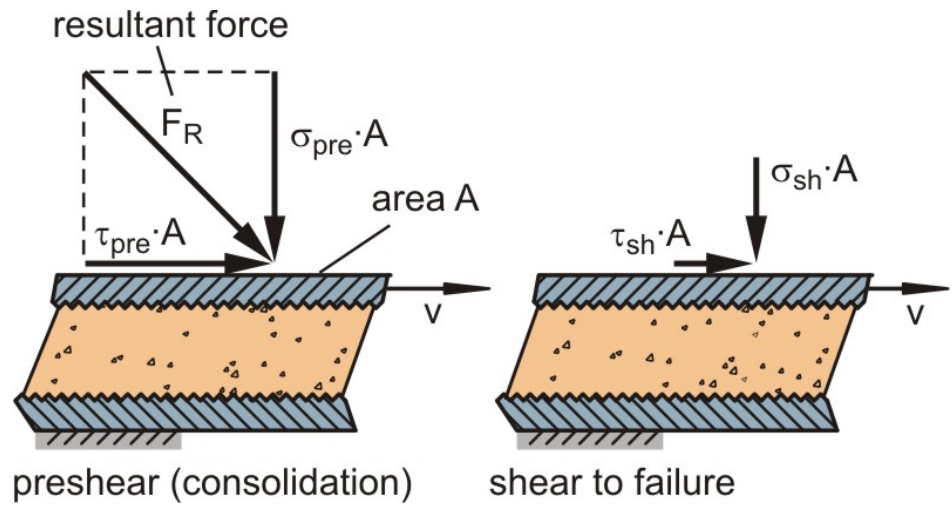
- To initiate flow, the failure criterion given by the yield locus must be matched: **Shear stress must be sufficiently large to move particles against each other.**
- This is the case in planes represented by the red point where the Mohr circle (representing the stresses) touches the yield locus.
- The orientation of the plane represented by the red point represents the orientation of failure planes.

3. Measurement of flow properties with shear testers

3.1 Yield locus test

Yield locus test (I)

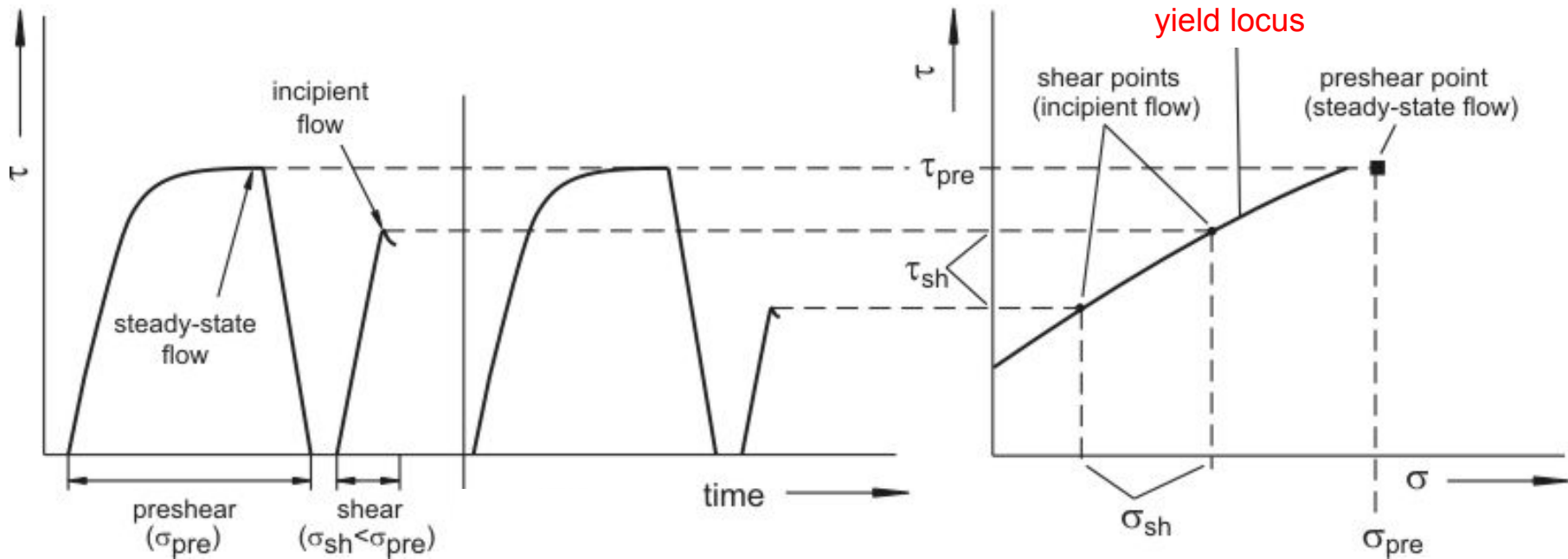
Shear stress, τ , and bulk density, ρ_b , during a shear test.



Preshear: Consolidation of a bulk solid specimen until steady-state flow is attained.

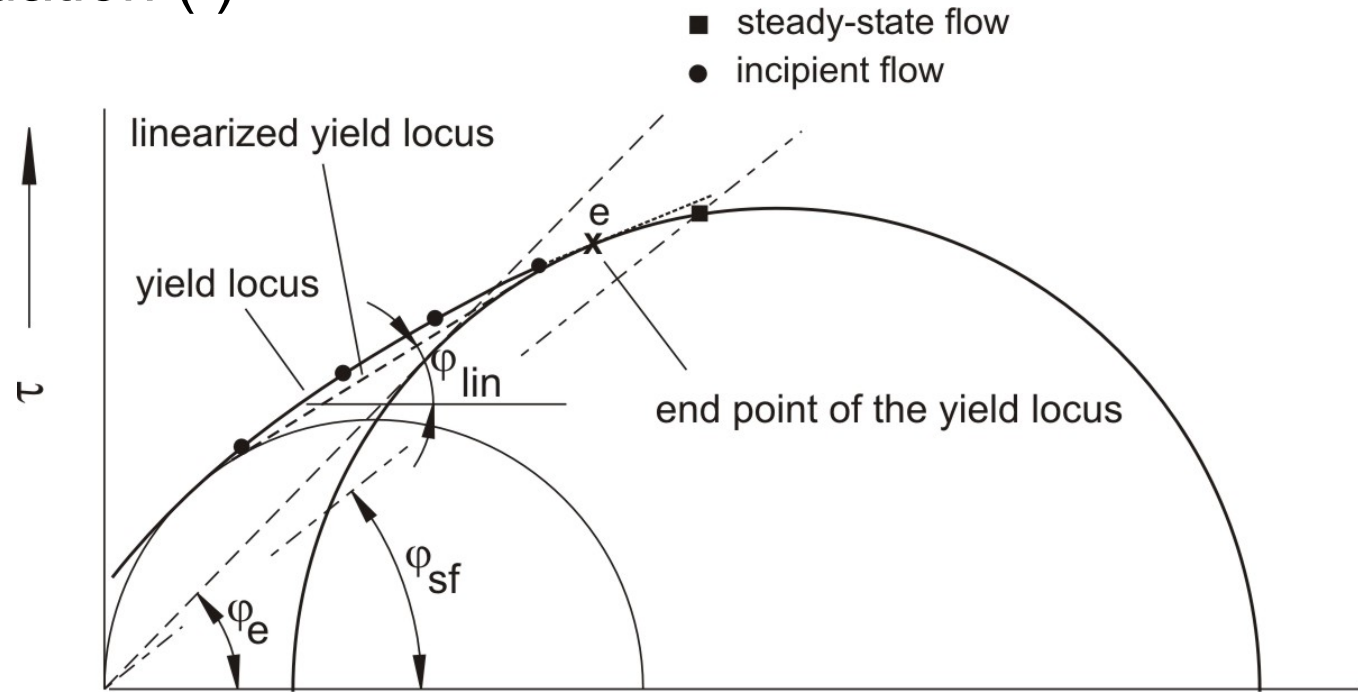
Shear (to failure): Measurement of the shear stress required to initiate flow.

Yield locus test (II)



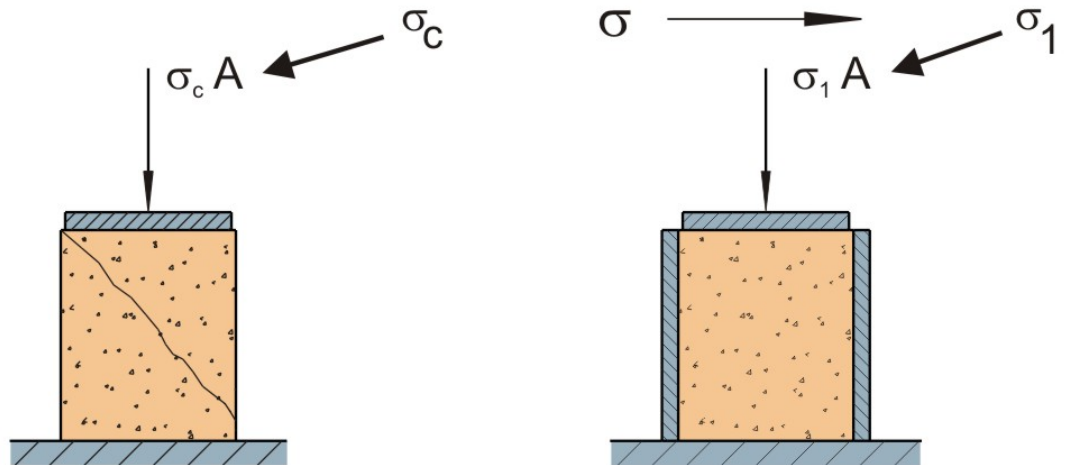
- Preshear at σ_{pre} , then shear (to failure) under normal stress $\sigma_{sh} < \sigma_{pre}$.
- This has to be repeated several times, whereby σ_{sh} is varied.
- Thus one obtains several points of the **yield locus**.

Yield locus evaluation (I)



Two Mohr stress circles are drawn:

- the left one defining the **unconfined yield strength, σ_c ,**
- the right one defining the **consolidation stress, σ_1 .**



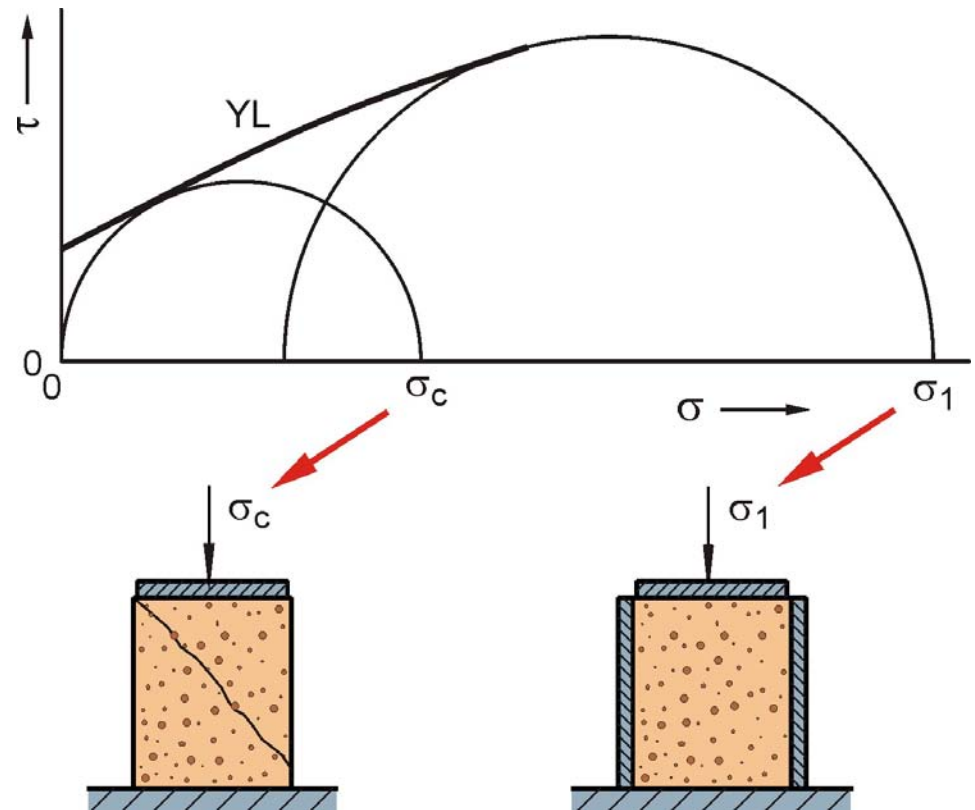
Flowability ff_c ← most important for qualitative application

Definition:

$$ff_c = \frac{\sigma_1}{\sigma_c} = \frac{\text{consolidation stress}}{\text{unconfined yield strength}}$$

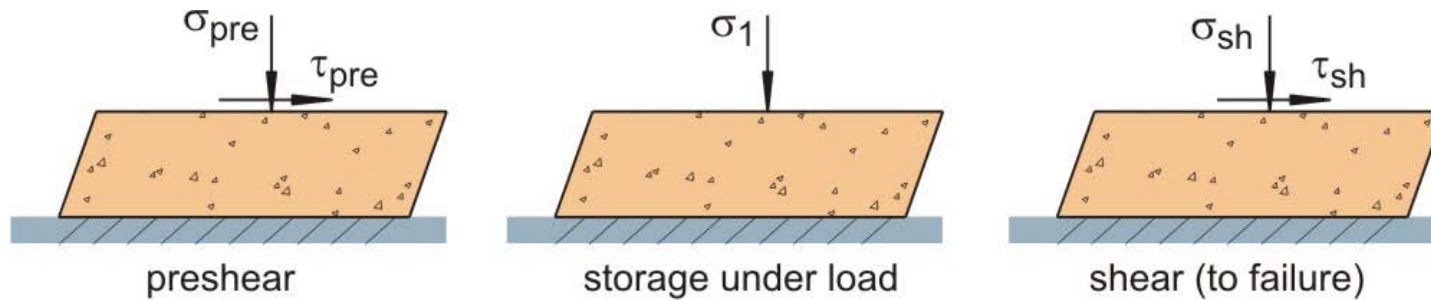
Classification of flow behaviour:

ff_c	description
< 1	not flowing
1 .. 2	very cohesive
2 .. 4	cohesive
4 .. 10	good-flowing
> 10	free-flowing



3.2 Time consolidation test

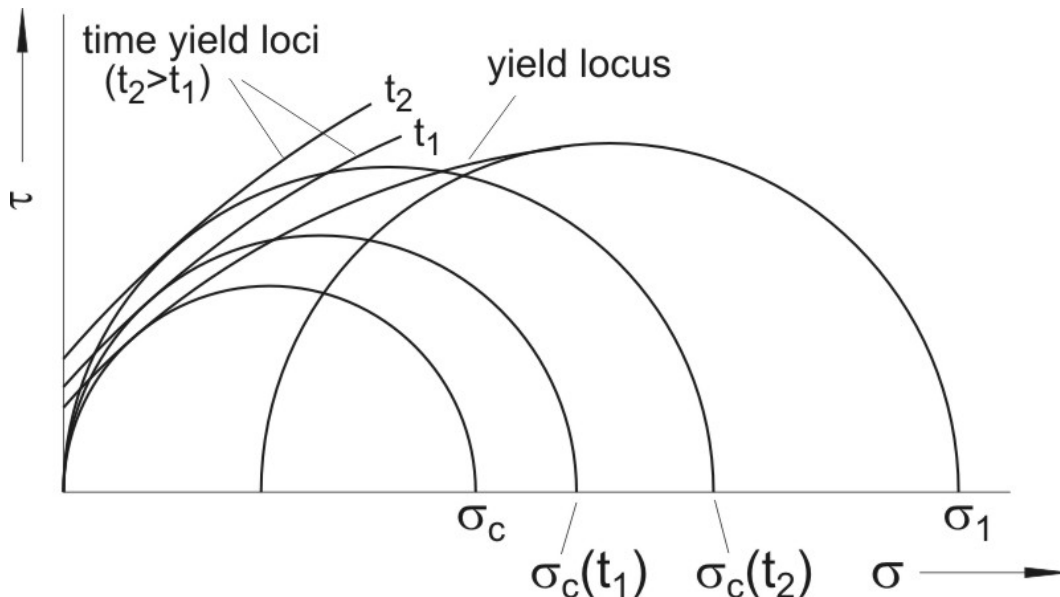
Time consolidation test



Procedure similar to yield locus test, but after preshear the specimen is stored under static load σ_1 over desired time interval, t .

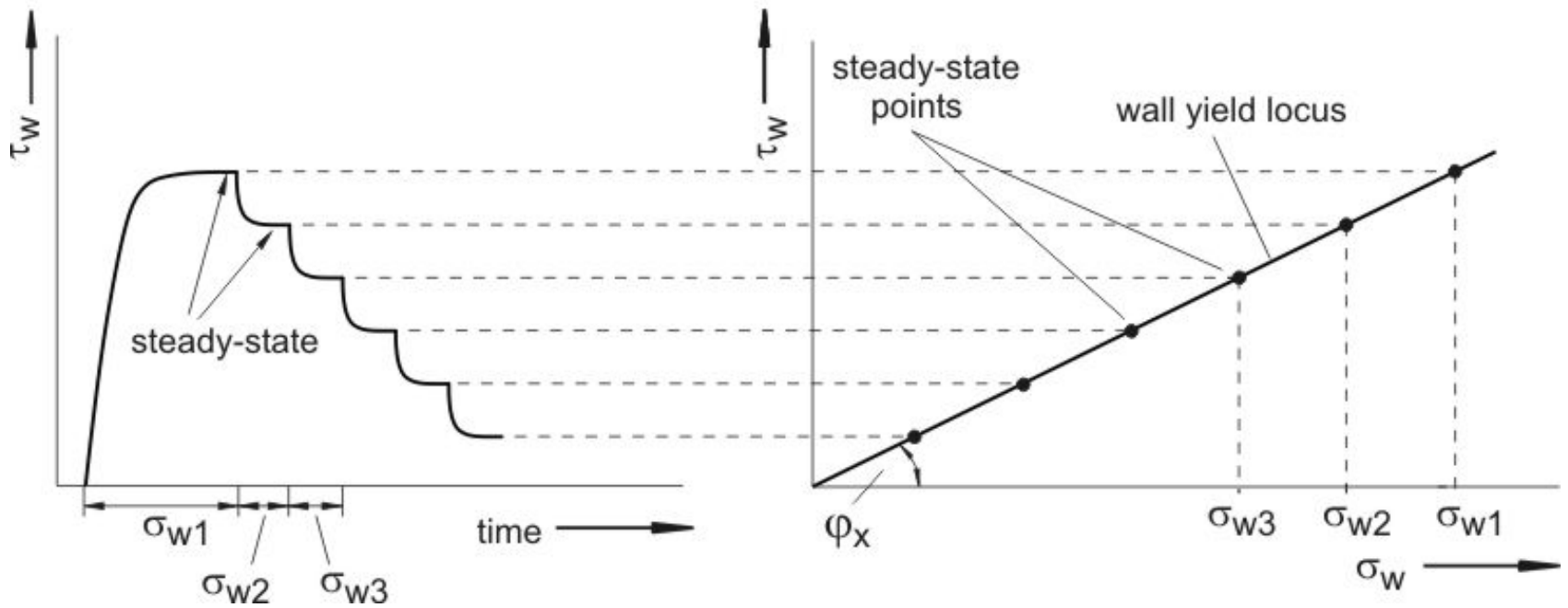
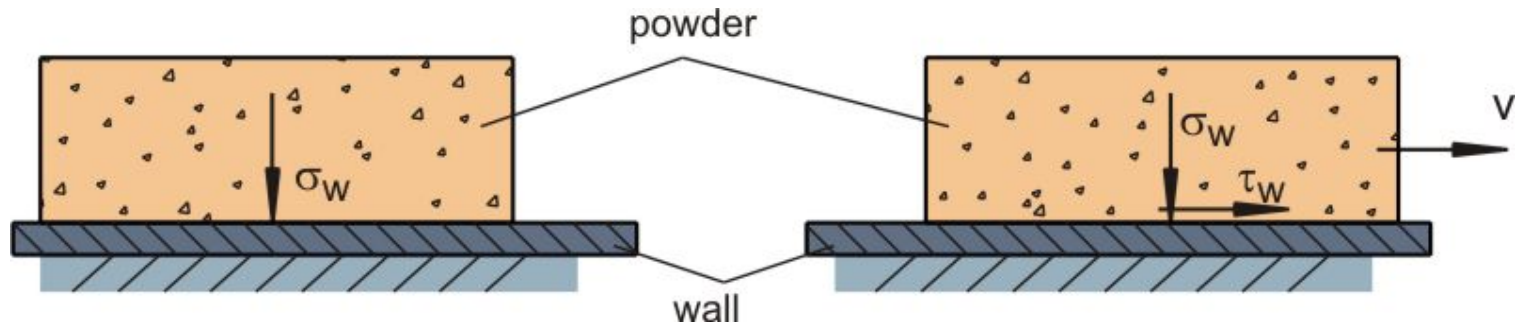
Subsequently a point of the time yield locus is measured.

Unconfined yield strength, σ_c , is determined from time yield locus.



3.3 Wall friction test

Wall friction test

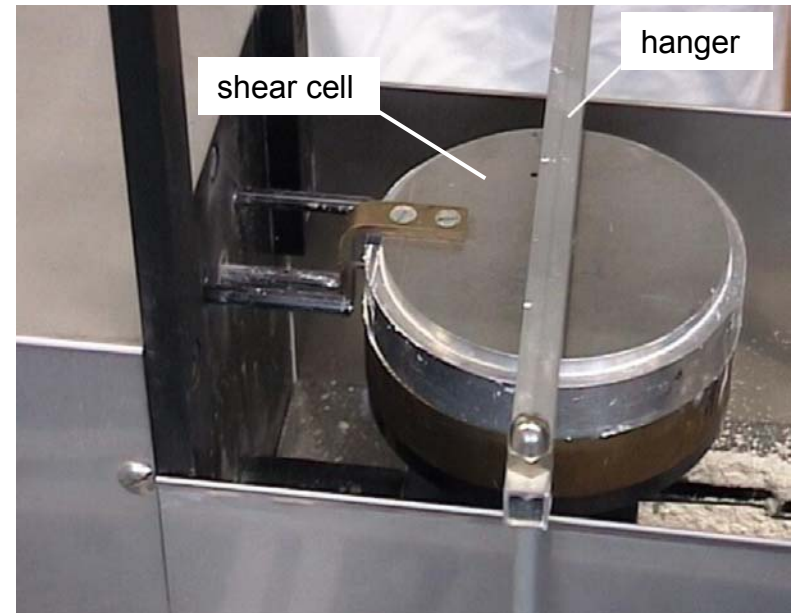
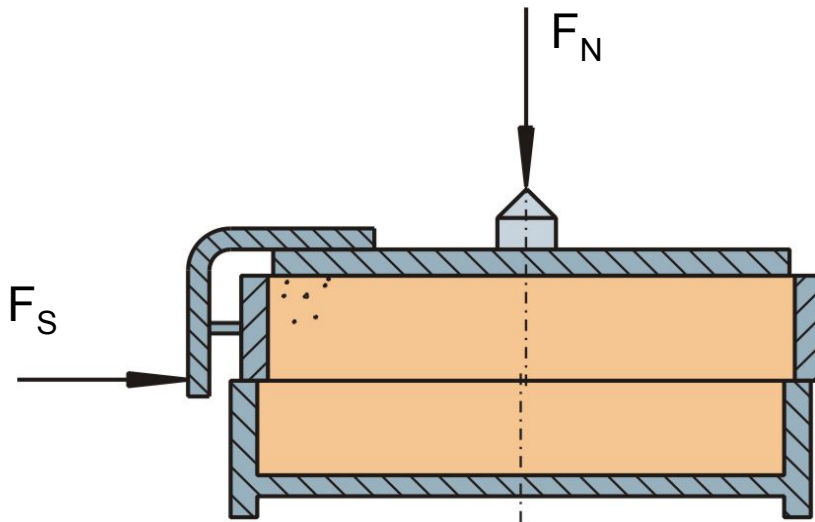


Determination of a wall yield locus

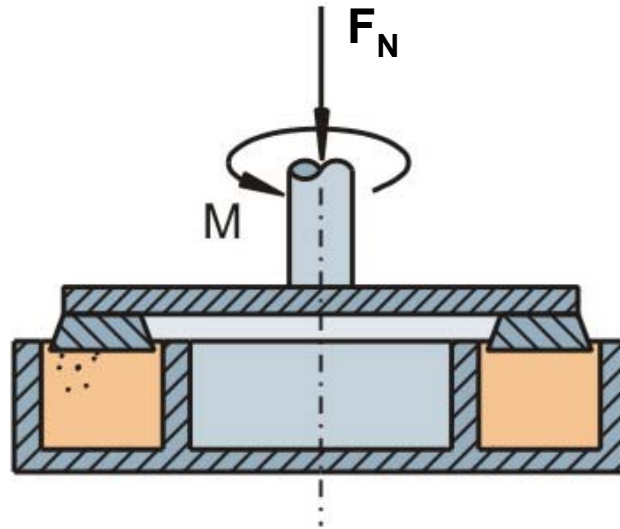
3.4 Shear testers

Jenike Shear Tester

- The first shear tester for powders and bulk solids.
- Manually operated, requires skill and time (1... 2 hours / YL)
- ASTM 6128 “Jenike shear cell”

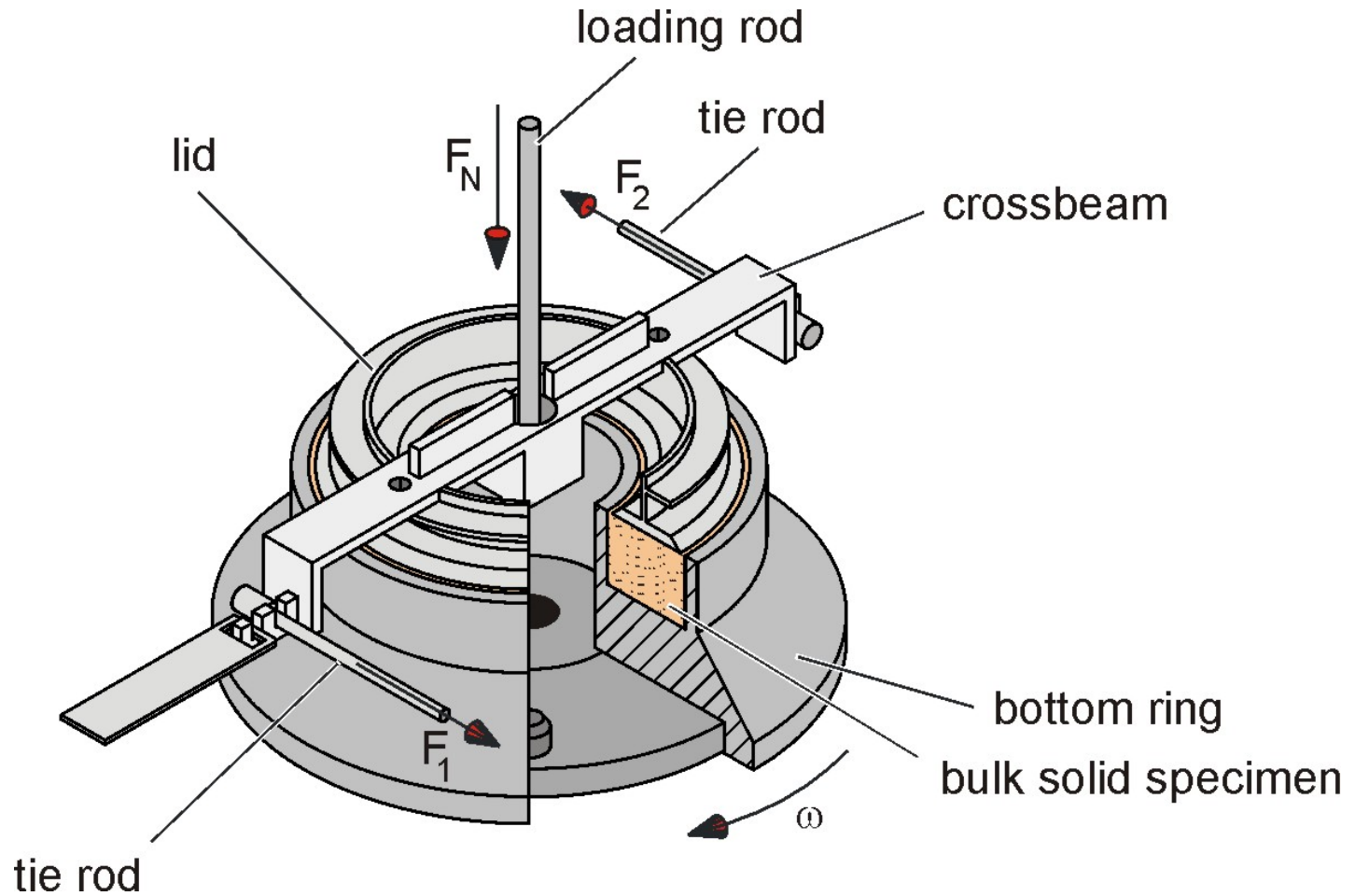


Ring Shear Tester



- Applied in powder technology since about 1965 (Carr and Walker, “annular shear tester”).
- New design developed in 1992/93: “Schulze Ring Shear Tester”
 - specimen volume from 85 cm³ to 900 cm³ (particles up to 10 mm)
 - automated test procedure (ca. 15 min / YL; operator time ca. 5 min).
 - ASTM 6772 “Schulze Ring Shear Tester”
- “Small volume tester” RST-XS since 2002 (3.5 cm³ to 70 cm³) →

Shear cell of Ring Shear Tester RST-XS (30 cm³ cell)



Computer-controlled Ring Shear Tester RST-XS



- Automatic Ring Shear Tester
- Shear cells with approx. 3.5 cm³ to 70 cm³ specimen volume

4. Examples

Example: Results of a recent Round Robin project (I)

Testers used:

Ring Shear Testers RST-XS (30 cm³ specimen volume) and RST-01.pc (900 cm³)

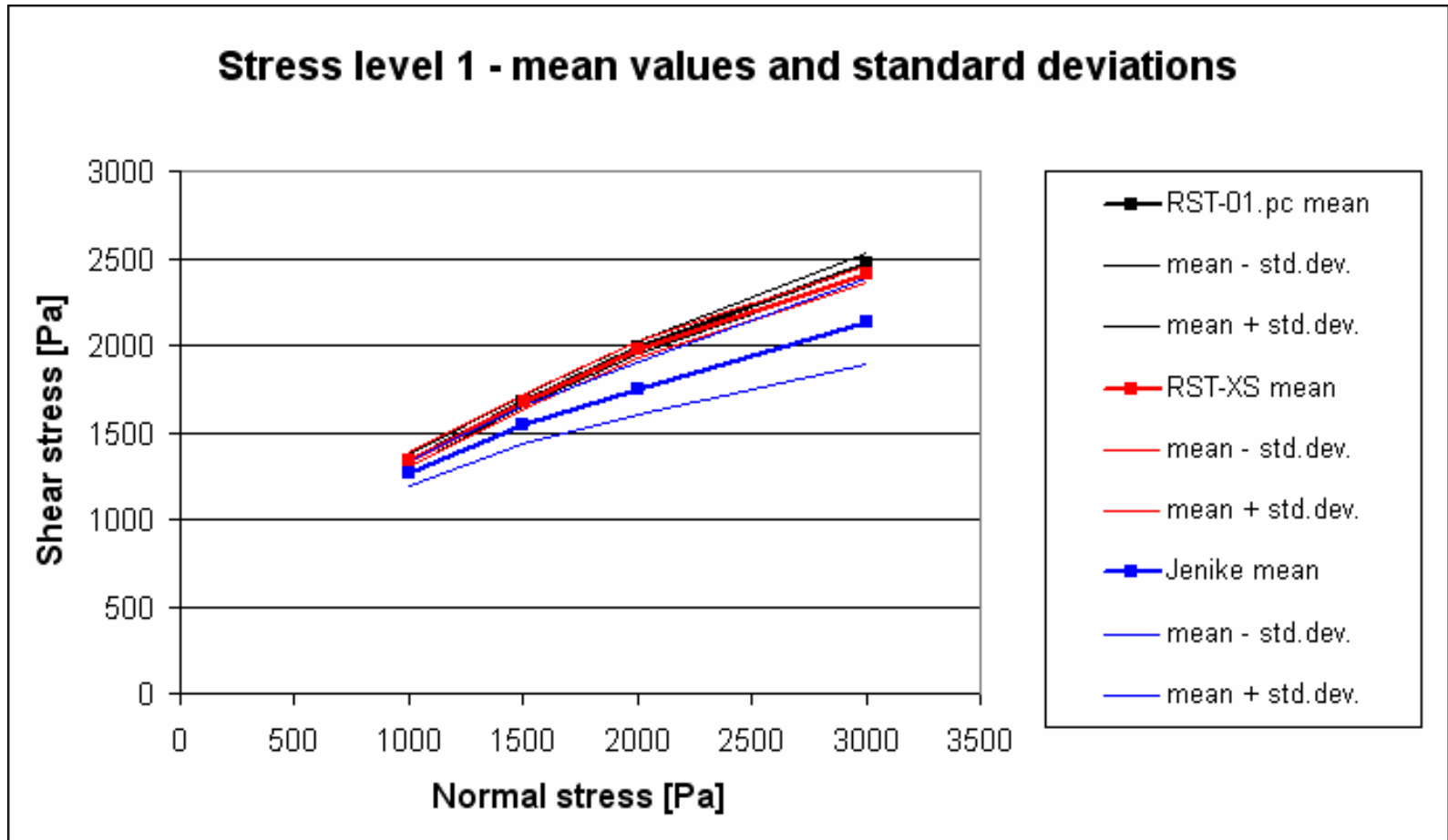
Powder: Standard limestone powder CRM-116 (available from BCR)

Results were compared with “certified” results of Jenike shear testers (BCR).

Test results have been supplied by following companies and institutions (in alphabetical order):

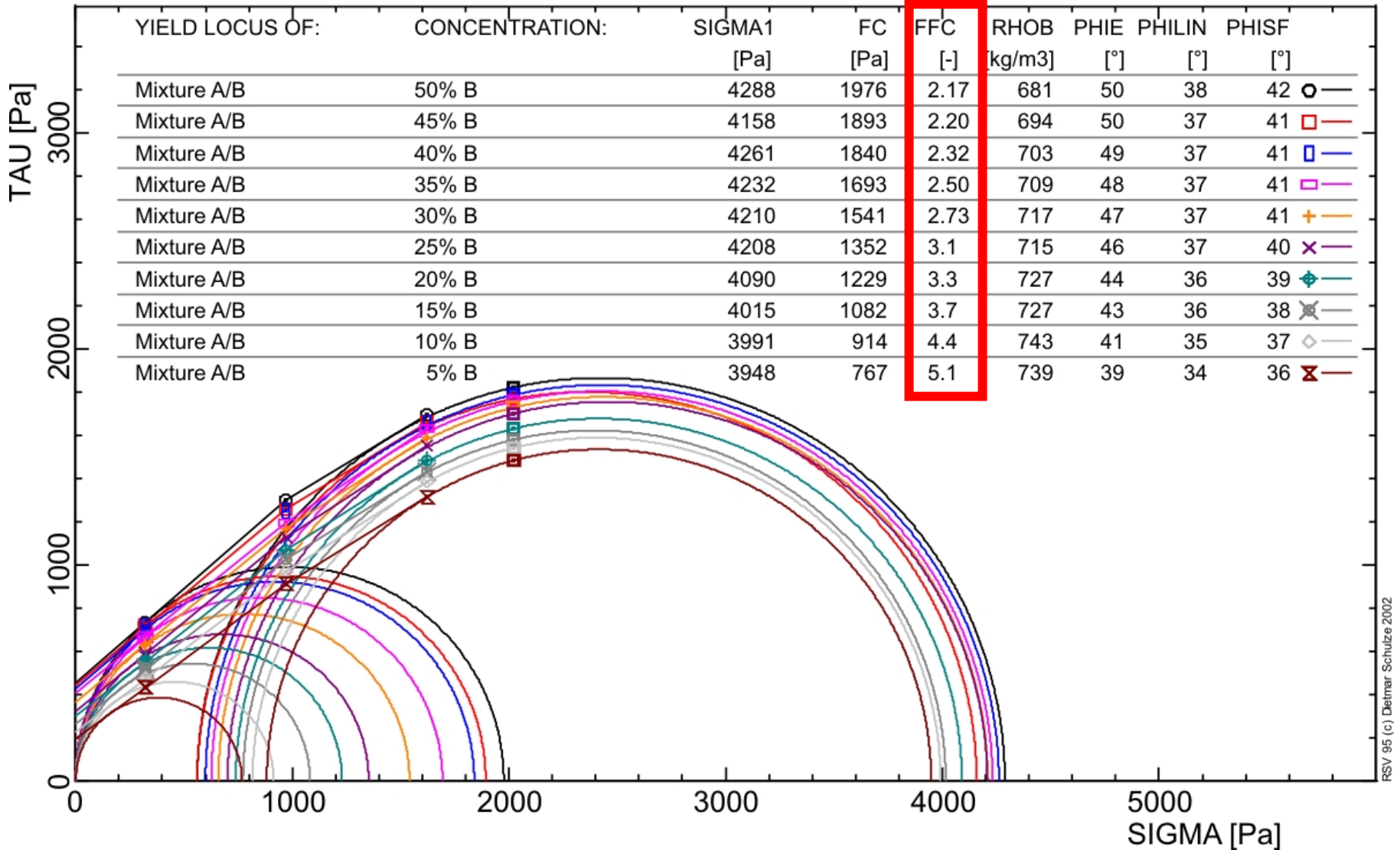
Amgen (USA), AstraZeneca (UK), BASF (D), Boehringer Ingelheim (D), Clariant (D), DSM (NL), Dupont (USA), F. Hoffmann - La Roche (CH), Glasgow Caledonian University (UK), GlaxoSmithKline (2xUK), Jenike & Johanson (USA), Kerneos (F), L'Oreal (F), Nestlé (D), Novartis (CH), Nycomed (D), Pfizer (USA, UK), Sanofi (D), Schwedes + Schulze Schüttguttechnik (D), Technical University Munich (D), Unilever (D), University of Applied Sciences Upper Austria (A), University of Birmingham (UK), Wyeth Healthcare (UK).

Example: Results of a recent Round Robin project (II)



Yield locus test on limestone powder CRM-116

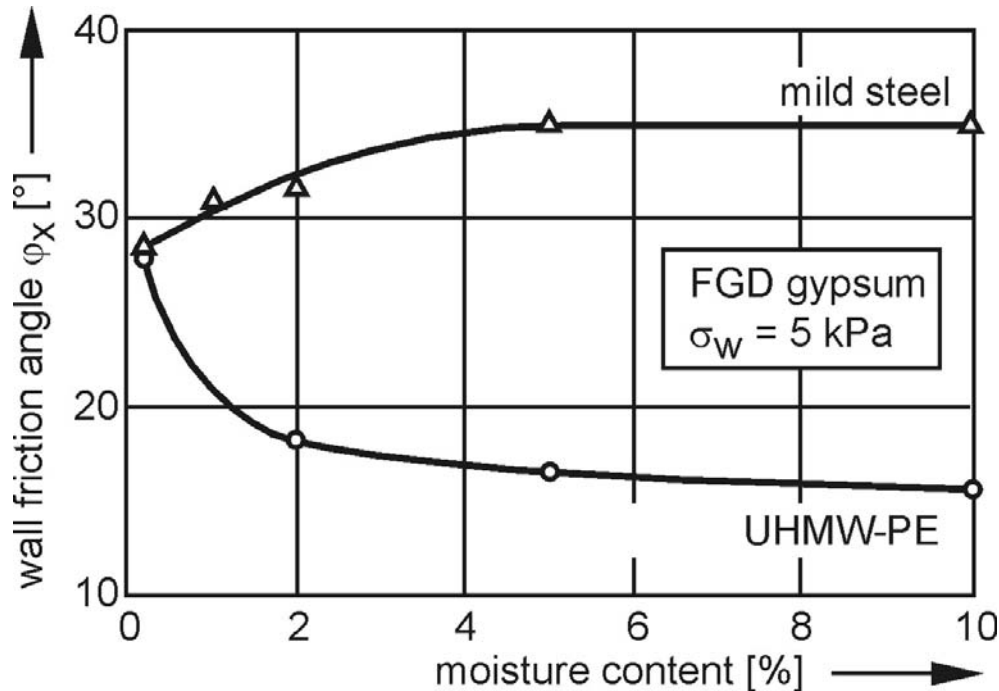
Example: Flowability in dependence on fines concentration



A, B: lactose; B is finer than A.

Measured with ring shear tester, shear cell 30 cm³

Example: Wall friction - material and moisture

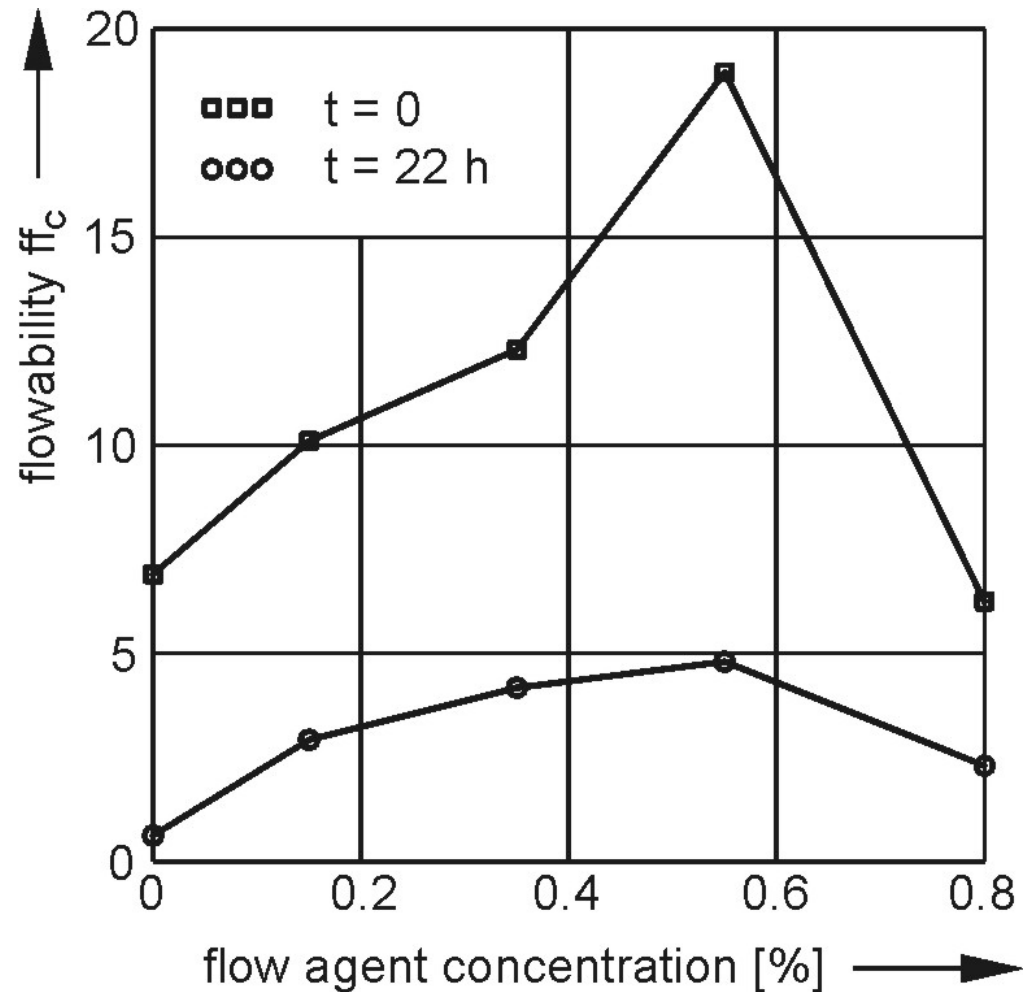


- Mild steel:
Increase of wall friction angle with content moisture (high wettability; increasing adhesion due to liquid bridges)
- UHMW-PE:
Wall friction decreases with increasing moisture content (low wettability).

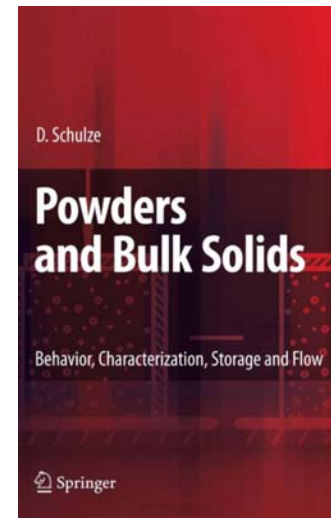
Wall friction angles of Flue Gas Desulphurization (FGD) Gypsum

Example: Flow agent concentration

- Crystalline product with varied flow agent concentration.
- Diagram shows instantaneous flowability and flowability after 22 h storage at rest
- Best flowability is measured for concentration 0.55%.
- Decrease of flowability for concentrations > 0.55%.



Thank you for your kind attention!



More papers on powder flow: www.dietmar-schulze.com